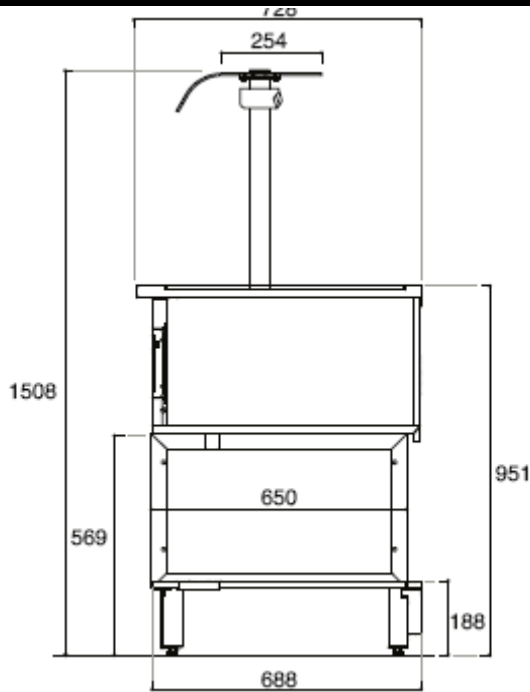


SELF



STRUCTURE

| MODULES | | 100 | 125 | 150 | 200 |
|--|------|--|------|------|------|
| LENGTH | [mm] | 1000 | 1250 | 1500 | 2000 |
| HEIGHT | [mm] | 1250-1500 | | | |
| DEPTH | [mm] | 728 | | | |
| END SIDE PANELS THICKNESS | [mm] | ACCORDING WITH FINISHING TYPE | | | |
| WEIGHT | (kg) | 148 | 142 | 179 | 185 |
| POSSIBILITY TO JOIN WITH OTHER MODULES | | X | | | |
| TANK | | FOAM TANK INJECTED WITH POLYURETHAN AT 40KG/CM | | | |
| GLASS STRUCTURE | | STAINLESS STEEL - OPEN UP-BOTTOM | | | |
| TRAY HOLDER | | - | | | |
| WHEELS | | OP. | OP. | OP. | OP. |
| SLIDING DOORS | | X | X | X | X |
| CURTAIN | | - | - | - | - |
| LIGHT | | NEON | | | |

PASTRY / DELI

| MODULES | | 100 | 125 | 150 | 200 |
|--------------------------------|--|-----------------------|-----|-----|-----|
| REFRIGERATED FIX DISPLAY SHELF | | X | X | X | - |
| NEUTRAL FIX DISPLAY SHELF | | - | - | - | - |
| DRAWERS DISPLAY SHELF | | - | - | - | - |
| LOWER LEVEL DISPLAY SHELF | | - | | | |
| FRONT GLASS | | SINGLE | | | |
| LATERAL GLASS | | SINGLE | | | |
| HOT SHELVES | | OP. | | | |
| LIGHT COOLING SYSTEM | | - | | | |
| CONTROL PANEL | | ELECTRONIC THERMOSTAT | | | |
| COOLING SYSTEM | | VENTILATED | | | |
| EVAPORATOR | | 1 | | | |
| COMPRESSOR TYPE | | HERMETIC | | | |
| CONDENSATION TYPE | | AIR | | | |
| DEFROSTING TYPE | | AT STOP | | | |
| EXTERNAL CONDENSATE DRAIN | | OP. | OP. | OP. | - |

| | | | | | |
|-------------------------------------|---------|---------------------|---|---|---|
| CONDENSATE PAN | | X | X | X | - |
| REMOTE COMPRESSOR TYPE | | HERMETIC | | | |
| CONDENSATION TYPE | | AIR | | | |
| DEFROSTING TYPE | | AT STOP | | | |
| CE - GOST CERTIFICATION | | X | X | X | - |
| CE - GOST POWER SUPPLY | V/ph/Hz | X | | | |
| ETL SAFETY SANITATION CERTIFICATION | | - | - | - | - |
| ETL SAFETY SANITATION POWER SUPPLY | V/ph/Hz | - | | | |
| WORKING TEMPERATURE | | 75 DEGREE F; 55% RH | | | |
| CLIMATIC CLASS | | 30°C 55% UR | | | |

PASTRY / DELI WITH CELLS

| | | | | | |
|-------------------------------------|---------|------------------------------------|------------|------------|---|
| MODULES | | - | 125 | 150 | - |
| REFRIGERATED FIX DISPLAY SHELF | | - | X | X | - |
| NEUTRAL FIX DISPLAY SHELF | | - | X | X | - |
| DRAWERS DISPLAY SHELF | | - | - | - | - |
| LOWER LEVEL DISPLAY SHELF | | - | | | |
| FRONT GLASS | | SINGLE | | | |
| LATERAL GLASS | | SINGLE | | | |
| HOT SHELVES | | OP. | | | |
| LIGHT COOLING SYSTEM | | - | | | |
| CONTROL PANEL | | ELECTRONIC THERMOSTAT + MECHANICAL | | | |
| COOLING SYSTEM | | VENTILATED | | | |
| EVAPORATOR | | 1 | | | |
| COMPRESSOR TYPE | | - | - | HERMETIC | |
| CONDENSATION TYPE | | - | - | AIR | |
| DEFROSTING TYPE | | - | - | AT STOP | |
| EXTERNAL CONDENSATE DRAIN | | - | - | OP. | - |
| CONDENSATE PAN | | - | - | X | - |
| REMOTE COMPRESSOR TYPE | | HERMETIC | | | |
| CONDENSATION TYPE | | AIR | | | |
| DEFROSTING TYPE | | AT STOP | | | |
| CE - GOST CERTIFICATION | | - | X | X | - |
| CE - GOST POWER SUPPLY | V/ph/Hz | X | | | |
| ETL SAFETY SANITATION CERTIFICATION | | - | - | - | - |
| ETL SAFETY SANITATION POWER SUPPLY | V/ph/Hz | - | | | |
| WORKING TEMPERATURE | | 75 DEGREE F; 55% RH | | | |
| CLIMATIC CLASS | | 30°C 5% UR | | | |

COLD OR HOT

| | | | | | |
|--------------------------------|--|-----------------------|------------|------------|------------|
| MODULES | | 100 | 125 | 150 | 200 |
| REFRIGERATED FIX DISPLAY SHELF | | X | X | X | - |
| NEUTRAL FIX DISPLAY SHELF | | X | X | X | - |
| DRAWERS DISPLAY SHELF | | - | - | - | - |
| LOWER LEVEL DISPLAY SHELF | | - | | | |
| FRONT GLASS | | SINGLE | | | |
| LATERAL GLASS | | SINGLE | | | |
| HOT SHELVES | | OP. | | | |
| LIGHT COOLING SYSTEM | | - | | | |
| CONTROL PANEL | | ELECTRONIC THERMOSTAT | | | |
| COOLING SYSTEM | | VENTILATED | | | |
| EVAPORATOR | | 1 | | | |
| COMPRESSOR TYPE | | HERMETIC | | | - |
| CONDENSATION TYPE | | AIR | | | - |
| DEFROSTING TYPE | | AT STOP | | | - |
| EXTERNAL CONDENSATE DRAIN | | OP. | OP. | OP. | - |
| CONDENSATE PAN | | X | X | X | - |
| REMOTE COMPRESSOR TYPE | | HERMETIC | | | - |
| CONDENSATION TYPE | | AIR | | | - |

| | | | | | | |
|--|-------------------------------------|---------|----------------------------|---|---|---|
| | DEFROSTING TYPE | | AT STOP | | | - |
| | CE - GOST CERTIFICATION | | X | X | X | - |
| | CE - GOST POWER SUPPLY | V/ph/Hz | 230/1/50 | | | |
| | ETL SAFETY SANITATION CERTIFICATION | | - | - | - | - |
| | ETL SAFETY SANITATION POWER SUPPLY | V/ph/Hz | - | | | |
| | WORKING TEMPERATURE | | COLD +4°C / +8°C HOT +65°C | | | |
| | CLIMATIC CLASS | | 30°C 55% UR | | | |

COLD or HOT WITH CELLS

| MODULES | | 100 | 125 | 150 | 200 |
|-------------------------------------|---------|-----|----------------------------|----------|-----|
| REFRIGERATED FIX DISPLAY SHELF | | | X | X | - |
| NEUTRAL FIX DISPLAY SHELF | | | X | X | - |
| DRAWERS DISPLAY SHELF | | - | - | - | - |
| LOWER LEVEL DISPLAY SHELF | | | | - | |
| FRONT GLASS | | | SINGLE | | |
| LATERAL GLASS | | | SINGLE | | |
| HOT SHELVES | | | OP. | | |
| LIGHT COOLING SYSTEM | | | - | | |
| CONTROL PANEL | | | ELECTRONIC THERMOSTAT | | |
| COOLING SYSTEM | | | VENTILATED | | |
| EVAPORATOR | | | 1 | | |
| COMPRESSOR TYPE | | - | - | HERMETIC | - |
| CONDENSATION TYPE | | - | - | AIR | - |
| DEFROSTING TYPE | | - | - | AT STOP | - |
| EXTERNAL CONDENSATE DRAIN | | - | - | OP. | - |
| CONDENSATE PAN | | - | - | X | - |
| REMOTE COMPRESSOR TYPE | | - | HERMETIC | | - |
| CONDENSATION TYPE | | - | AIR | | - |
| DEFROSTING TYPE | | - | AT STOP | | - |
| CE - GOST CERTIFICATION | | - | X | X | - |
| CE - GOST POWER SUPPLY | V/ph/Hz | | X | | |
| ETL SAFETY SANITATION CERTIFICATION | | - | - | - | - |
| ETL SAFETY SANITATION POWER SUPPLY | V/ph/Hz | | - | | |
| WORKING TEMPERATURE | | | COLD +4°C / +8°C HOT +65°C | | |
| CLIMATIC CLASS | | | 30°C 55% UR | | |

DRY HOT

| MODULES | | 100 | 125 | 150 | - |
|------------------------------------|---------|-----|-----------------------|-----|---|
| HEATED DISPLAY SHELF | | X | X | x | - |
| FRONT GLASS | | | SINGLE | | |
| LATERAL GLASS | | | SINGLE | | |
| HALOGEN LAMPS | | | OP. | | |
| HOT SHELVES | | | X | | |
| CONTROL PANEL | | | ELECTRONIC THERMOSTAT | | |
| CE - GOST CERTIFICATION | | X | X | X | - |
| ETL SAFETY SANITATION POWER SUPPLY | V/ph/Hz | | 220/1/60 | | |
| WORKING TEMPERATURE | | | +65°C | | |

BAIN-MARIE

| MODULES | | 100 | 125 | 150 | - |
|------------------------------------|---------|---------------|-----------------------|-------|---|
| PANS | | 2*1/1 + 2*1/4 | 3*1/1 + 2*1/4 | 4*1/1 | - |
| PAN DEPTH | [mm] | 150 | | | |
| FRONT GLASS | | | SINGLE | | |
| LATERAL GLASS | | | SINGLE | | |
| HALOGEN LAMPS | | | OP. | | |
| HOT SHELVES | | | X | | |
| WATER IN AND OUT | | | MANUAL | | |
| CONTROL PANEL | | | ELECTRONIC THERMOSTAT | | |
| CE - GOST CERTIFICATION | | X | X | X | - |
| ETL SAFETY SANITATION POWER SUPPLY | V/ph/Hz | | 220/1/60 | | |
| WORKING TEMPERATURE | | | +65°C | | |